

INITIAL SET UP FOR THE VAS-2A8L-KE4-8SE SAFETY CONTROLLER

While a wide range of configurations is possible with Pepperl+Fuchs' safety controller, each configuration begins with the same basic electrical connections. Once this initial step is complete, configurations can be set up that meet your unique safety application requirements. The basic setup is shown below.

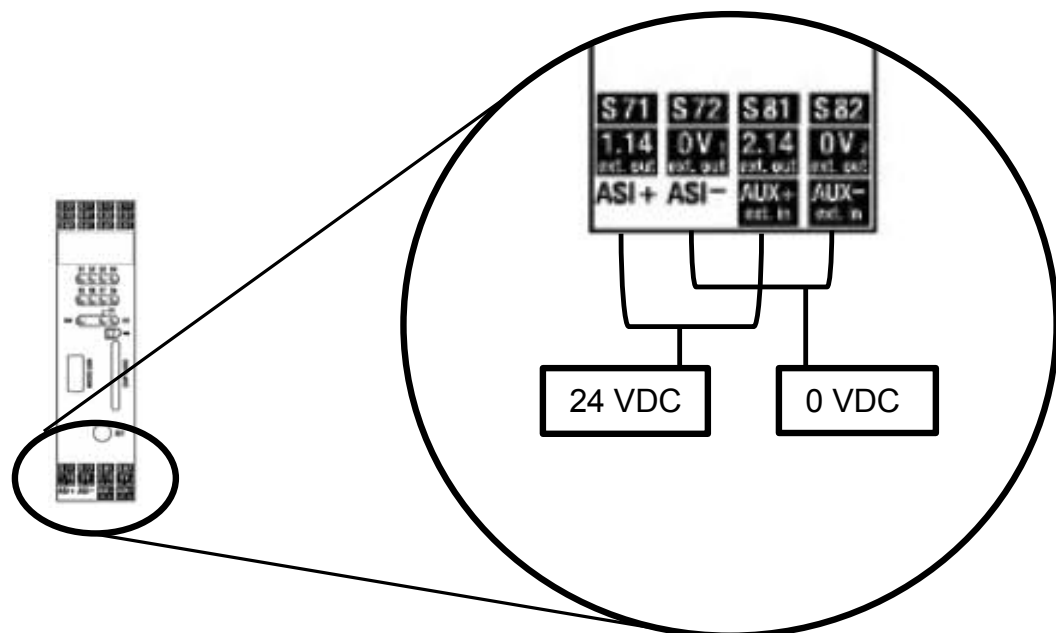
Example configurations can be viewed and downloaded at www.sensing.net/asi-solutions



Basic setup for examples 1–7

In order to try example configurations 1-7 using the Pepperl+Fuchs safety controller, the following electrical connections need to be made. In addition to these connections, the configuration software SIMON+ (VAZ-SW-SIMON+) must be installed on a Windows PC. The communication interface between SIMON+ and the safety controller is established through a USB connection.

- +24 VDC on grey terminal **AUX+ ext. in**
- +24 VDC on yellow expansion port terminal **ASI+**
- 0 VDC on grey terminal **AUX - ext. in**
- 0 VDC on yellow expansion port terminal **ASI-**
- Output +24 VDC from safe output on terminal **1.14 ext. out**
- 0 VDC from safe output on terminal **0 V ext. out**



Applicable products:
VAS-2A8L-KE4-8SE safety controller
VAZ-SW-SIMON+ configuration software