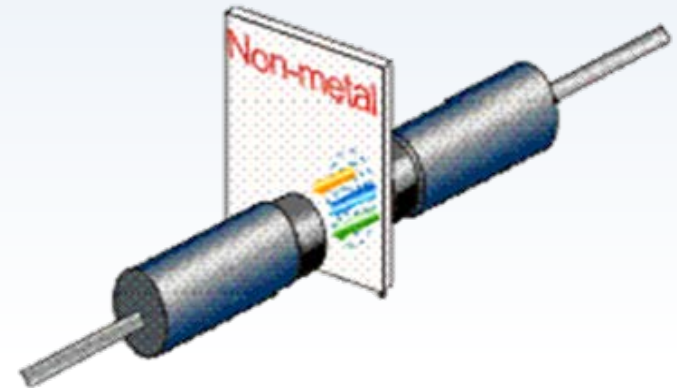
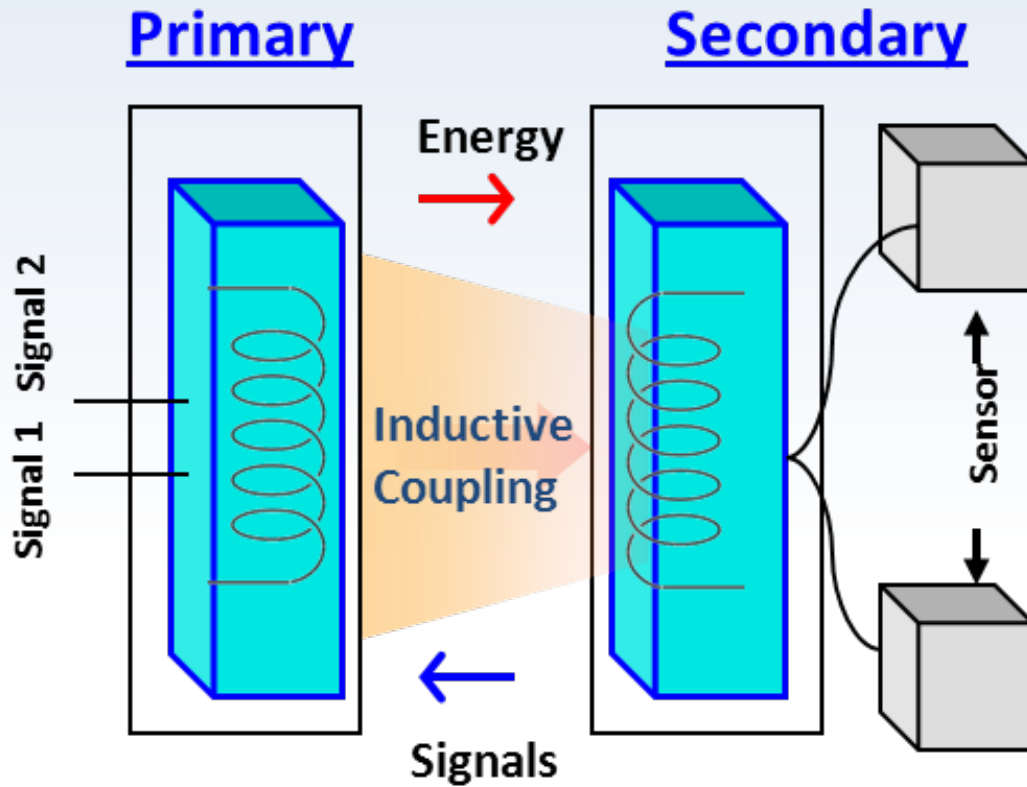




Noncontact Connection

- **Inductively coupled power and signal**
- **Wireless communications and power transfer**
- **Transfer signals from movable modules**
- **Compatible with up to 8 PNP sensors**

Noncontact Connection





Noncontact Connection

	30 mm Diameter. WIS 1	80 x 80 mm Flat Pack	30 mm Diameter. WIS 2
Operating gap	5 mm	20 mm	7 mm
Rated power	1.5 W	1.5 W	12 W
Maximum offset at rated power	5 mm	20 mm	5 mm
Update cycle time	200 ms	200 ms	400 μs



Noncontact Connection

- **Assembly process machinery**
- **Part transfer carts**
- **Rotary tables**

