



# Pedestrian Door Sensors

- **Approach sensors**
- **Microwave technology**
- **Reliable detection of moving pedestrians**
- **Microwave motion sensor with intelligent functions**
- **Moving presence sensor for swing doors**
- **Configurable for a wide range of door leaf widths**
- **Each beam can be adjusted individually**
- **Selectable background suppression and evaluation**



# Approach Sensing

Specifications	PIR20/31	RMS-D-NA
Detection range	2500 mm	4000 mm
Operating voltage	17 ... 24 VDC / 12 ... 30 VAC	12 ... 36 VDC / 12 ... 28 VAC
Light source	Passive IR	Microwave
Output	Form C relay 48 W	Relay 24 W



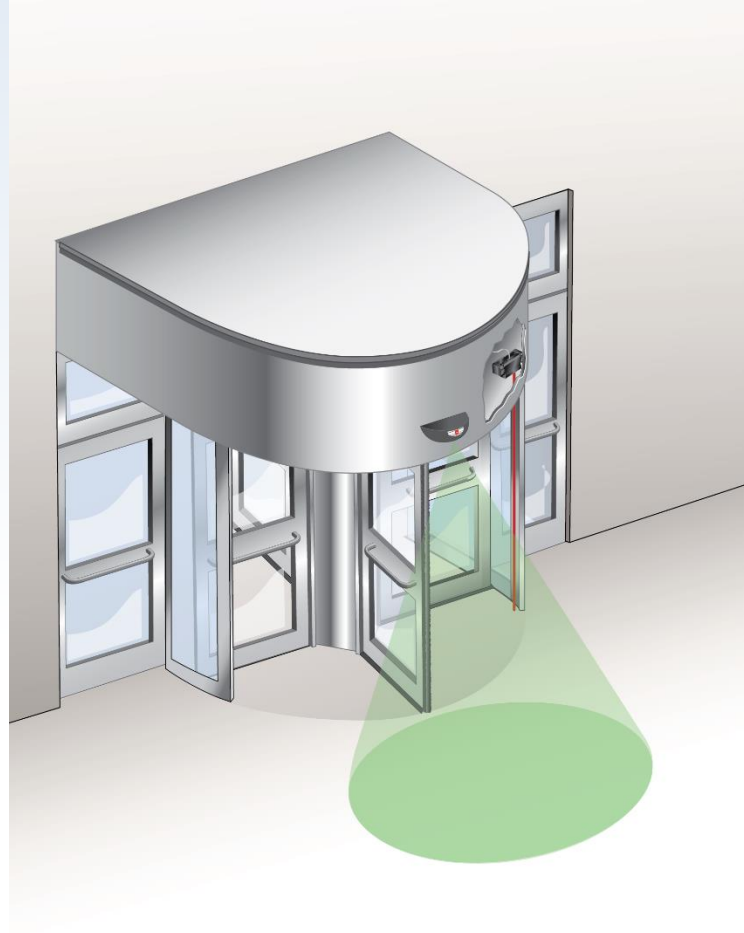
# Protection Sensing

Specifications	TOPSCAN2	AIR20	BB10
Detection range	2500 mm	2200 mm	3000 mm
Operating voltage	17 ... 30 VDC / 18 ... 28 VAC	12 ... 30 VDC / 18 ... 28 VAC	10 ... 30 VDC
Light source	IR LED	IR LED	IR LED
Output	Form C relay 24 W	Form C relay 24 W	NPN or PNP



# Approach Sensing

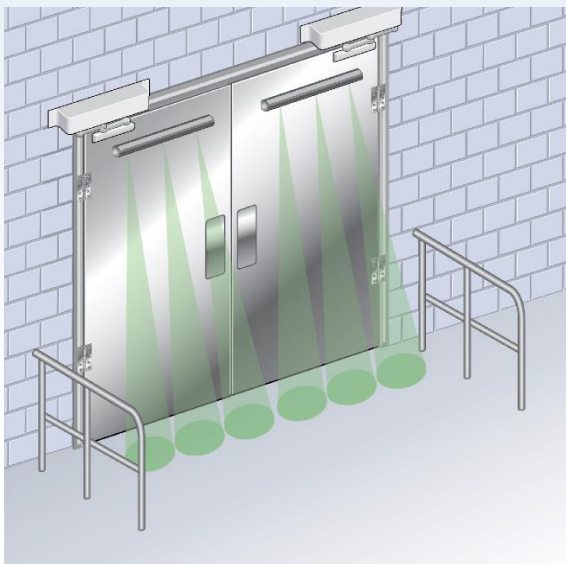
- RMS-D
- AIR20/31



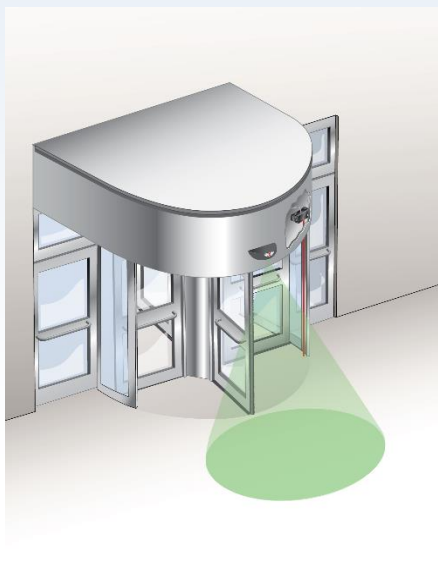


# Protection Sensing

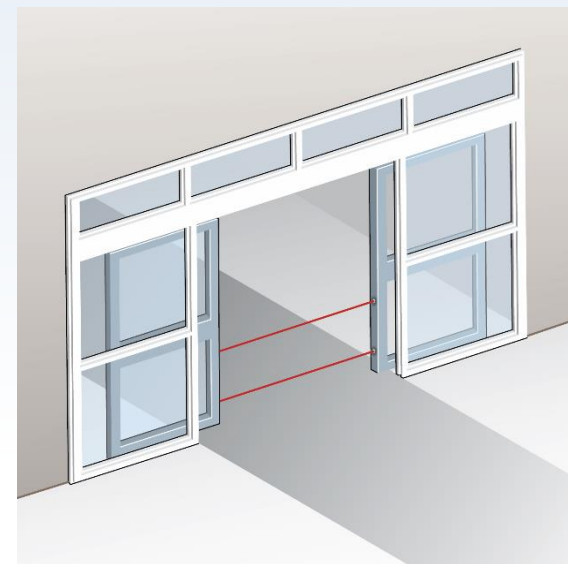
## ■ TOPSCAN2



## ■ AIR20



## ■ BB10





# Industrial Door Sensors

- **Approach sensors**
- **Microwave technology**
- **Reliable detection of moving vehicles**
- **Differentiated detection of people and vehicles**
- **Cross-traffic suppression**



# Approach Sensing

Specifications	RLK31-54/25/31/115	RMS-G-RC-NA	RAVE-D
Detection Range	2500 mm	7000 mm	7000 mm
Operating Voltage	12 ... 240 VDC / 24 ...240 VAC	12 ... 36 VDC / 12 ... 28 VAC	12 ... 36 VDC / 12 ... 28 VAC
Light source	Red LED	Microwave	Microwave
Output	Form C relay 3 Amps	2 Relays 24 W	2 Relays 24 W

# Approach and Protection Sensing

- RMS-G-RC-NA
- RLK31

